

User Manual for MullToa 55 and 65

Bruksanvisning för MullToa 55 och 65

MullToa
ORIGINALET!

Swedish Ecology AB » Klippan 1J » S-414 51 Göteborg » Sweden
Tel: +46 31 42 29 30 » Fax: +46 31 42 49 08 » info@mulltoa.com
www.mulltoa.com

MullToa
ORIGINALET!





User Manual for MullToa 55 and 65

Bruksanvisning för MullToa 55 och 65

English

Svenska

Congratulations on your purchase of MullToa toilet

Your bio-toilet is patented and manufactured in Sweden and the brand is MullToa. MullToa means that it produces natural humus in the actual unit, without the use of water or chemicals. Our largest model has been awarded the Nordic Ecolabel (the Swan mark).

INTRODUCTION

Please read all these instructions before beginning to install your MullToa toilet. Experience has shown that problems that usually occur are almost always related to installation and maintenance. To ensure hassle-free use, please take a moment to read through the manual.

Three important things to always remember:

- When the toilet is in use the room temperature must be at least 18°C.
- If you are away for more than two days, you should always switch the power off, otherwise the compost will become dry. Switch the power off and place the cover over the seat opening.

The moisture content is an important component of the biological process, so it is important to retain the moisture as long as possible, even when the toilet is switched off.

- Apart from the natural needs being taken care of during a visit to the toilet, the only thing that should go into the toilet is toilet paper.

Your new MullToa experience starts here! We hope you will be completely satisfied.

CONTENTS

How MullToa works _____	3	If the red lamp lights up _____	6
Contacting Environmental Health _____	3	If the white lamp lights up _____	7
Your MullToa package _____	3	Emptying the tray _____	7
Installation package _____	3	Grating _____	7
Extra accessories _____	3	Float _____	7
MullToa cross-section – all parts _____	3	Emptying frequency _____	7
Installation _____	4	Emptying before season _____	7
What you need _____	4	Switch the power off! _____	7
Pipe installation _____	4	Leaving the house for a couple of days or more _____	7
Temperature _____	4	At the end of the season _____	7
Air supply _____	4	At the start of the season _____	7
Assembly _____	5	FAQ _____	8-9
Starting the empty toilet _____	5	Bad odour _____	8
Maintenance _____	6	Compost too dry _____	8
Regular maintenance _____	6	Compost too wet _____	8
Mixing _____	6	Insects _____	8
Setting the thermostat _____	6	Replacing the break-pin _____	9
Liquid in the level tube _____	6	Spare parts and service _____	9
Keeping the compost at right temperature _____	6		

How the MullToa works

The MullToa is a biological toilet that composts waste and evaporates liquid, in the toilet itself. The composting process takes place using nature's own microorganisms, without the need of any chemicals. The toilet should be used as any other. Controlled air supply and heat, as well as regular mixing of the compost, accelerates the composting process and converts the waste into eco-friendly humus. This makes a nutrient-rich supplement for your garden.

Contacting Environmental Health

Contact Environmental Health office regarding local health regulations. This always applies when installing any type of toilet.

Your MullToa package

The MullToa box contains:
A toilet, a 50 cm humus rake and a bag of humus.



The installation package (accessories)

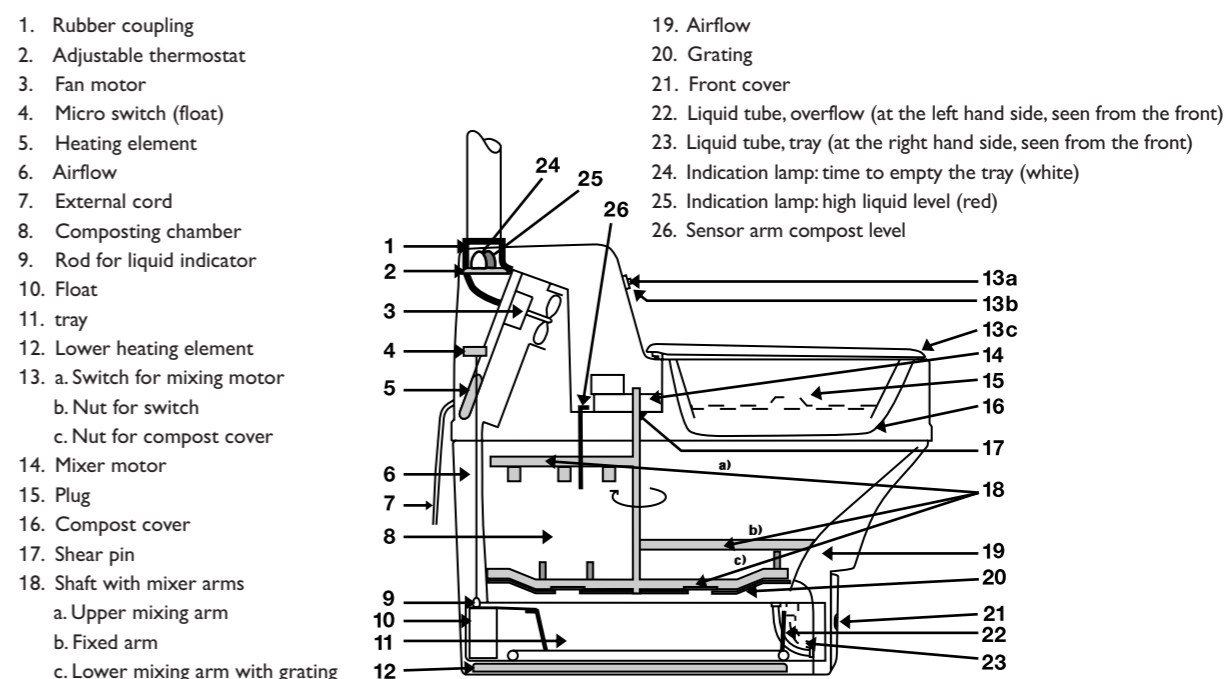
The installation package contains: ventilation pipes, (4 x 1.1 m ventilation pipe with 55 mm outer diameter), exterior pipes (2 x 0,5 or 1,0 m, 110 mm outer diameter), insulation (2 x 1 m), reducing coupling, roof flashing and insect netting.

Optional accessories

Optional accessories: pipe bends (30° and 45°), additional insulation, straight pipes, humus starter, an extra tray and a kit for installation through the outer wall.



MullToa in cross section



INSTALLATION

What you need

For installation you need to have the following tools available:

- Drill
- Hole saw (55 mm) or Compass saw
- Saw
- Metre rule/measuring tool
- Asphalt sealant/adhesive

Also check that the floor area where the toilet is to be positioned is large enough. The floor area required is:

Model 45 width 55 cm x length 110 cm (for the toilet and removal of the tray).

Model 60 width 65 cm x length 135 cm (for the toilet and removal of the tray).

Pipe installation

All pipes going through the ceiling into cold spaces (e.g. the attic) must be insulated. This is to prevent draughts and condensation in the ventilation pipe. Insulation is essential, regardless of how much or how little the toilet is used. Do not use pipe bends over 45°. Do not use a rain cap on top of the ventilation pipe - the air must be allowed to flow out freely. Only the insect netting should be on top of the pipe.

Temperature

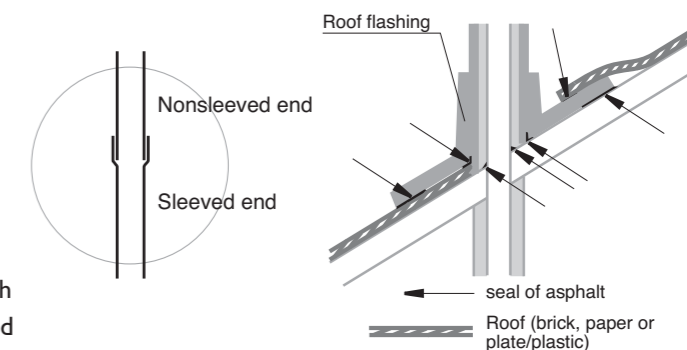
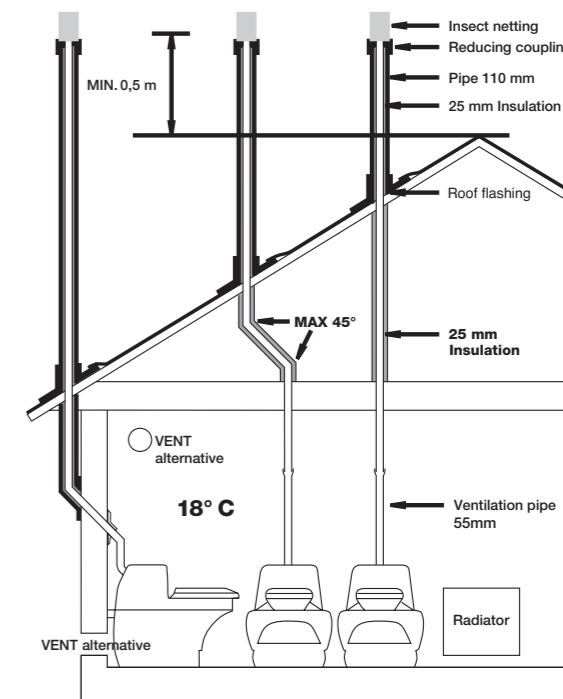
The room in which the toilet is installed must be insulated. When the toilet is in use the room temperature must be at least 18°C to ensure it functions properly. The easiest thing to do is to fit a thermostatically-controlled radiator. If the toilet is not in use then the temperature need not be controlled, low temperatures will not damage the unit itself.

Air supply

In order to ensure adequate air supply, a vent should be installed in the exterior wall. The exhaust air is evacuated through the toilet. Avoid having a bathroom fan in the toilet room as it creates a back draught, which can lead to odours in the room.

Assembly

1. Set the toilet in position against the wall.
The floor must be even and insulated.
2. Measure and make a hole for the ventilation pipe in the ceiling, with 55 mm diameter. Install the ventilation pipe with the non-sleeved end down inside the rubber coupling on the toilet.
3. Measure and make a hole in the roof, with 55 mm diameter.
4. Push the pipe up through the hole. Seal it well using asphalt sealant between the pipe and the roof to prevent any leaks.
5. Insulate the pipe from the ceiling up to the top. All pipework in cold spaces must be insulated.
6. Cut the exterior pipe to fit the angle of the roof.
7. Place the roof flashing onto the exterior pipe. (Use soapy water to make it easier). If you have a tin roof, the best thing to do is to get a lead worker to create a junction between the roof and the exterior pipe.
8. Pass the exterior pipe over the ventilation pipe's insulation. Put on the reduction coupling.
9. Adjust the roof flashing and seal firmly with asphalt sealant between the roof flashing and the roof.
10. Fit the insect netting against the stop on the reducing coupling.



Starting the empty toilet

1. Pour the bag of MullToa humus starter into the toilet. About half of the humus starter will fall down through the grating into the tray.
2. Plug into an earthed socket. Open the lid and the motor will start automatically and run for a short while. Close the lid and the motor will make one turn. Repeat this a couple of times.
3. Setting the thermostat. This depends on how many people are going to use the toilet. See recommended use in the separate sketch under maintenance instructions, page 6.

MAINTENANCE

A properly installed and maintained MullToa is odour-free. We emphasise this to highlight the importance of reading the maintenance instructions carefully. If it is not working as it should it has usually something to do with installation or maintenance. Of course we want your MullToa to work, hassle-free, and we therefore ask that you please take the time to read through this information in its entirety. Thank you in advance and enjoy your new MullToa toilet!

Extra humus starter

For the best composting, the compost must be of a porous and moderately moist consistency. At low load, or 1-2 people, calculate around 1/2 litre per person per week. At higher loads, or 3-4 people, halve the amount. If four people a day use the toilet, two litres of humus should be added into the compost every week. Use the humus rake to mix the humus in. If hard lumps form in the compost, make sure you break them up. Hard lumps can be a sign that the heat is too high. If this is the case, turn the thermostat down.

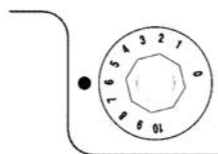
Mixing

When the seat cover is opened, the motor will start automatically and run for a short time. Close the lid after the toilet has been used. The motor will start again and complete a full turn. This is so that waste and paper will be mixed into the compost and to make it more porous. This is essential for efficient composting.

Setting the thermostat

Before the first use the thermostat should initially be set according to how many people will be using the toilet.

Number of people	Recommended setting at start
1 - 2	1-5
3 - 4	6-7
4 - 6	8-10



For higher or lower loads, you can easily change the setting, as recommended below.

HOW TO SET THE THERMOSTAT

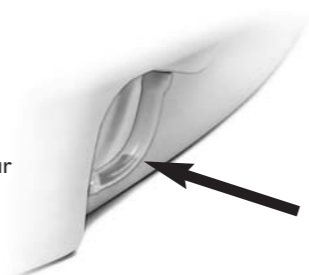
Adjust the thermostat according to load. Check the liquid tube (23) on the right hand side. The thermostat works in two steps depending on the setting; step one through the float in the tray and step two above the float.

- Setting 0 the power is off.
- Setting 1-7 the heat is controlled by the thermostat setting and depending on the amount of liquid in the tray, the float turns the heat on and off.
- Setting 8-10 the heat is on regardless the amount of liquid in the tray.

The float measures liquid level in the tray. This minimizes the risk of the compost becoming too dry. The float does not increase the heat, this is made through the thermostat.

LIQUID IN THE LEVEL TUBE

The level tube (on the right hand side, viewed from the front) shows how much liquid there is in the tray. There will always be some liquid in the tray, but the whole tube should definitely not be full; this would mean the tray is full of liquid. One centimetre of liquid in the tube is OK. If your compost is too moist, or if you have an extra load over a longer period of time, turn up the thermostat.



RIGHT TEMPERATURE

At the right temperature, the compost has a porous and moderately moist consistency. If liquid stays on top of the compost and seeps down into the tray slowly, then the compost is too wet and can no longer absorb the liquid as intended. Increase the thermostat setting slowly and add a few litres of humus starter. On the other hand, if hard lumps form or toilet paper remains on top, so that it doesn't get soaked and mixed in properly during mixing, the compost is too dry. If so, turn the thermostat down.

IF THE RED LAMP LIGHTS UP

This indicates that the level of liquid in the tray is getting too high. Increase the thermostat setting to 8-10. Lower the setting when the lamp signal is switched off and the level in the tube has been reduced.

IF THE WHITE LAMP LIGHTS UP

This is an indication that the level in the composting chamber is getting to high. The lamp might turn on and off for a period of time, caused by toilet paper. But, when the signal becomes more consistent (after approx 4 weeks), it is time to empty the tray.

THE GRATING

The lower mixing arms (18c) have two "sleighs" attached. These "sleighs" opens and closes the grating after each use of the toilet. The grating is closed when the toilet is not being used to maintain the moisture in the compost. When the mixing arms turn, the grating will be opened and at the same time the arms pushes compost down through the grating into the tray.

THE FLOAT

The toilet has a float controlled heat which turns on/off depending on the level of liquid in the tray. Heat will go on when the liquid level in the tray is about 2-3 cm. This minimizes the risk of the compost becoming too dry and also creates a more efficient composting. Check the liquid tube (23) every week. If the liquid level increases, adjust the thermostat until the level is reduced.

EMPTYING FREQUENCY

In vacation homes, with a four to six weeks stay per year, it is usually enough to empty the tray once. But, at more frequent use, you have to adapt the emptying frequency. The general rule is to empty the tray when the compost level reaches the upper mixing arm. You soon learn to adapt the emptying frequency according to use.

EMPTYING IN SPRING

Where you can get by with one emptying a year, leave the compost in the toilet over the winter. The tray is then emptied in the spring before the toilet starts to be used.

EMPTYING THE TRAY

A few days before emptying, increase the thermostat to 10 to dry up the liquid in the tray. Once it has disappeared from the level tube, do as follows:

1. Switch the power off!
2. Make sure that there is no liquid in the level tubes on the right or left.
3. If there is liquid, increase the thermostat setting and wait a few days before emptying.
4. Emptying: Remove the front cover. Remove the hose to the tray. If the tray is stuck in place, due to compost between the tray and the grating having dried out, release the tray by pulling the humus rake back and forth between the tray and the grating.
5. Empty the tray in a suitable place for post-composting, such as in the garden compost.
6. Clean the tray. Before you slide it into place, check that the area where the tray goes is clean.
7. Replace the level tube. Replace the front cover.

For more frequent use, for example in the event of permanent use, the more often the tray has to be emptied. If the toilet has not been used for the last 2 months, the contents in the tray can be used as fertilizer immediately. But, when emptying the tray in the middle of the season, the contents needs to compost further for about 2 months. Remove the full tray and replace it with an additional tray (which can be bought from us). Put the full tray in a plastic bag.

Prepare for brief absences

If you are away for more than two days, turn the power off and put the cover into the seat opening, otherwise the compost will quickly become hard and dry. If there is a lot of liquid, for example, after heavy use, you can leave the toilet running for a limited period (approximately one week). Leave the toilet running with the thermostat in position 1. Then only the fan will run, and the contents of the tray will dry out slowly.

At the end of the season

When the season is over and it is time to leave your holiday cottage, unplug the toilet and put the cover in the seat opening. You can also turn off the heat in the toilet room, as the MullToa cannot freeze and break.

New season approaching

When the season is approaching, and it is time to open up your cottage, it is also time for the MullToa to be used again after a long break. Check if the compost has become hard. If so, break it up with the rake. Then empty the tray. If there is less than 5 cm of compost on the grate, add some more humus starter.

– How do I know if the compost is too dry?

Answer: The forming of hard lumps indicates that it is too dry. Another indication is that toilet paper remains on top instead of becoming wet and getting mixed in properly during mixing.

– What do I do if the compost becomes too dry?

Answer: Use the thermostat to reduce the heat to a lower level and spray some water on the compost, at the same time it may be useful to break up the compost through the seat using the humus rake supplied. You should also use toilet paper sparingly, as this is broken down more slowly when the compost is too dry. If the compost is consistently too dry, despite the thermostat being at position 1-2, then you can install a timer that turns the toilet power off at night.

– How do I know if the compost is too wet?

Answer: When the compost is no longer able to absorb liquid, and it sits on top of the compost.

– What do I do if the compost becomes too wet?

Answer: First check that power is reaching the toilet, so that the fan and heat work. If the fan and heating element are working correctly then you should be able to hear it and also feel the heat from the back of the toilet with your hand. Then check:

- That the ventilation pipe has been installed according to the instructions and that it is well insulated.
- That the temperature inside the room is at least 18°C.
- If the toilet has been overloaded (if so, the thermostat setting needs to be adjusted).
- That there is plenty of air being supplied through the wall vent.

Drying up the compost, do the following:

1. Mix a few litres of MullToa Special Humus into the moist compost.
2. If there is also liquid in the level tube, turn the thermostat up to a higher setting. Do not turn it down to a lower setting until the liquid regains its normal level.
3. If there is liquid in the level tube on the left side as viewed from the front, the tray has overflowed. Raise the thermostat and wait a couple of days before emptying.
4. If the compost does not become drier, the excess liquid will need to be emptied out. Loosen the level tube at the top and connect a garden hose. Note: Do not open the front cover.

– What can be put in the toilet?

The toilet can be used like any other, including for the disposal of toilet paper. However, the disposal of items such as sanitary towels or tampons, cigarette butts, or burning or glowing objects is not allowed.

– What do I do if there is a bad odour in the toilet room?

Answer: A properly installed and maintained MullToa is completely odour-free. If you do experience a bad smell in the toilet room, it is an indication that something is wrong. Make sure you have carefully followed the installation and maintenance instructions (using the quick-guide below) and you will probably be able to determine the cause of the malfunction.

1. Check that the Biolet is getting enough air through a vent in the outer wall.
2. Make sure the front cover is closed properly.
3. Avoid draughts by not having both windows and vents open at once.
4. Check that the pipes fit the toilet properly.
5. Check that the pipe joints are sealed completely tight.
6. Check that any pipe bends you have are not over 45°, and that you do not have more than two bends.

– What do I do if the mixer motor does not work?

The mixer motor is protected in two different ways in order to prevent damage on mechanical parts.

– The motor runs normally, but the mixing arms do not move!

There is a shear pin mounted in the motor shaft. When the resistance is too tough, the shear pin breaks and must be replaced.

– The motor starts and stops and after a while it starts again by itself, but the mixing arms are still not moving!

The electrical motor has an overheating protection, which activates if the resistance is too high. It will turn itself off. But it will try again after a while and it will repeat this until the high resistance in the compost has been resolved. It usually is enough by mixing the compost using the manual rake and adding a few litres of humus starter. See “What do I do if the compost becomes too dry” page 8

– What do I do if the shear-pin breaks?

- 1) Unplug the toilet.
- 2) Lift the toilet at the front, pull it forward and loosen the ventilation pipe.
- 3) Unscrew the round nut holding the switch (13b) for the mixer and press the button inside the plastic.
- 4) Loosen the nut for the compost cover (13c). Lift the upper section.
- 5) Disconnect the wires that connect the mixer motor (14) to the terminal block on the electrical panel. Memorise their positions before disconnecting them.
- 6) Remove the four Phillips screws holding the mixer motor in place in the lower section.
- 7) Lift the mixer motor straight up. (If the mixer motor is wedged in the shaft, then try lifting the motor up while you rotate the shaft with an adjustable spanner.)
- 8) Working on a rigid surface or by fastening the motor shaft in a vice, tap out the remains of the broken shear-pin (17) using a mandrel or the new shear-pin.
- 9) Tap in the new shear-pin and put the mixer motor back.
- 10) Reattach the wires to the terminal block.
- 11) Perform a test run.
- 12) Replace the top section, the round nut holding the switch for the mixer in place and the nut for the compost cover.
- 13) Put the toilet in place.
- 14) Switch the power back on.

– When do I need to call a qualified electrician?

MullToa is approved for installation in bathrooms. If the main cord is damaged it must be replaced by the manufacturer or its repair business, or another qualified person, to prevent injury. This warning is placed near the toilet.

– Where do I get parts and service?

Contact your national dealer. Always have the serial number and model at hand. This information can be found on a sticker at the upper back of the toilet.



Bruksanvisning för MullToa 55 och 65

Svenska

Grattis till valet av en MullToa!

Din biologiska toalett är svensktillverkad och av märket MullToa. Det innebär att den producerar naturlig mull direkt på plats i själva toaletten, utan separering och utan kemikalier. MullToa har fått miljömärkningen SVANEN som enda komposteringstoalett på den svenska marknaden och är dessutom patenterad.

INLEDNING

När du står inför en installation av din nya MullToa, ber vi dig läsa igenom denna instruktion i sin helhet innan du påbörjar installationsarbetet. Erfarenheten visar att de fel som kan uppstå nästan uteslutande har att göra med installation och skötsel. För ett bekymmersfritt användande, ta en stund att läsa igenom texten. Det är det värt.

TRE VIKTIGA SAKER ATT ALLTID TÄNKA PÅ...

- När toaletten används ska rumstemperaturen vara minst 18°.
- Om du är borta i mer än två dagar ska du alltid stänga av strömmen, för att komposten annars torkar ut. Stäng av strömmen och sätt täcklocket i sitsöppningen. Fukthalten är en viktig beståndsdel i den biologiska processen, så det är viktigt att bibehålla fukten så länge som möjligt, även under stillestånd.
- Förutom de naturliga behov som man uträttar vid ett toalettbesök är det endast toalettpapper som kan kastas i toaletten (och vanligt vatten som kan sprayas om mullen har blivit för torr). Det är absolut förbjudet att slänga bindor och tamponger, fimpar, brinnande eller glödande föremål i toaletten!

Upplevelsen av din nya MullToa börjar här. Vi hoppas och tror att du ska bli riktigt nöjd.

INNEHÅLL

Så fungerar MullToa	3	Om den röda nivålampan tänds	6
Kontakta Miljö- och Hälsoskyddskontoret	3	Om den vita nivålampan tänds	7
Ditt MullToa-paket	3	Tömning av mullådan	7
Installationspaketet	3	Gallrets spjällfunktion	7
Extra tillbehör	3	Flottörfunktion	7
MullToa i genomskärning – alla delar	3	Anpassa tömningen	7
Installation	4	Töm på våren	7
Detta behöver du	4	Stäng av strömmen!	7
Rörinstallation	4	Förbered kortare frånvaro	7
Temperatur	4	Vid säsongsslut	7
Lufttillförsel	4	Vid säsongstart	7
Montering	5	Frågor och svar	8-9
Start av tom toalett	5	Dålig lukt	8
Skötsel	6	För torr kompost	8
Regelbunden skötsel	6	För våt kompost	8
Omrörning	6	Insekter i komposten	8
Ställ in termostaten	6	Byte av brytpinne	9
Om vätskan i nivåöret	6	Var finns reservdelar och service?	9
Håll rätt temperatu	6		

Så fungerar MullToa

MullToa är en biologisk toalett som komposterar avfallet och avdunstar vätska, på plats i själva toalettstolen. Komposteringen sker med hjälp av naturens egna mikroorganismer, utan kemikalier. Här ska ingenting separeras från vartannat vid ett toalettbesök; man gör sina behov som på vilken toalett som helst. Kontrollerad lufttillförsel och värme samt regelbunden omrörning av komposten påskyndar förmultningen och omvandlar toalettavfallet till miljövänlig mull. Denna blir ett näringsrikt tillskott i trädgården.

Kontakta Miljö- och Hälsoskyddskontoret

Kontakta Miljö- och Hälsovårdskontoret för att bli befriad från latrinhämtningsavgift och för att få reda på lokala, aktuella hälsovårdsregler. Detta gäller alltid vid installation, oavsett typ, av toalett.

Ditt MullToa-paket

Lådan innehåller:

En toalett, en mullraka 50 cm och en mullpåse.



Installationspaketet (tillbehör)

Installationspaketet innehåller: ventilationsrör, (4 x 1,1 meter ventilationsrör, med 55 mm ytterdiameter), ytterrör (1 meter 110 mm ytterdiameter), isolering (2 x 1 meter), en reduceringsmuff (55/110mm), en takstos samt en näthuv.

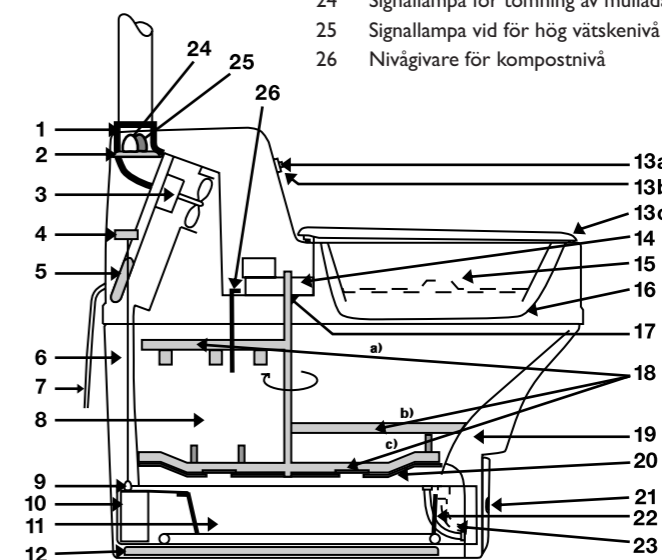
Extra tillbehör

Som extra tillbehör finns: Rörböjar (30° och 45°), isolering, raka rör samt specialmull, MullToa Flugstopp, extra mullåda samt väggenomföringssats.



MullToa i genomskärning

1. Ventilationsstos
2. Strömbrytare och reglerbar termostat
3. Fläktmotor
4. Mikrobrytare (flottör)
5. Värmelement
6. Varmluftskanaler
7. Sladd med stickkontakt
8. Komposteringskammare
9. Nivåvakt
10. Flottör
11. Mullåda/Efterkompostering
12. Bottenvärme
- 13.a. Kontakt för omröraren
- 13.b. Mutter för kontakt
- 13.c. Mutter för fäste: Insynsskydd
14. Motorpaket/omrörare
15. Täcklock
16. Insynsskydd med "dubbelfunktion"
17. Brytpinne
18. Omrörare med rakor
 - a. Rörlig utjämnare
 - b. Fast raka
 - c. Rörlig raka – dubbel med spjäll
19. Returkanal (luft)
20. Bottengaller
21. Lucka för mullåda
22. Nivårör, tömningskontroll (vänster, framifrån sett)
23. Nivårör, låda (höger, framifrån sett)
24. Signallampa för tömning av mullåda (vit lampa)
25. Signallampa vid hög vätskenivå (röd lampa)
26. Nivågivare för kompostnivå



INSTALLATION

Detta behöver du

För montering behöver du följande:

- Borrmaskin
- Hålsåg (55 mm) eller sticksåg
- Såg
- Tumstock/mätverktyg
- Asfaltkitt/klister

Kontrollera även golvytan där toaletten ska placeras, så att den är tillräckligt stor. Erforderlig golvyta är:

MT45 bredd 55 cm x längd 110 cm (för toalett och uttagning av mullåda)

MT60 bredd 65 cm x längd 135 cm

Rörinstallation

Hela röret, från innertak och uppåt genom kallutrymmen såsom vind, ska isoleras. Detta för att förhindra kallras och kondensbildning i ventilationsröret. Isoleringskravet gäller alltid, oavsett hur mycket eller lite toaletten används, även om toaletten endast används på sommaren. Använd inte rörböjar över 45°.

Använd inte någon regnhatt på toppen av ventilationsröret, luften måste ha fritt flöde ut (detta är extra viktigt att tänka på vid byte av toalett från annat fabrikat, när de gamla rören har större diameter).

Temperatur

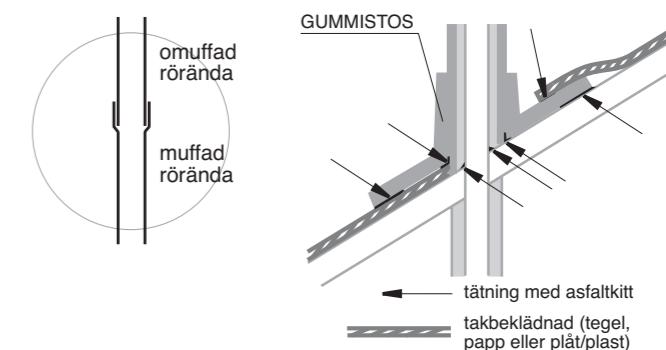
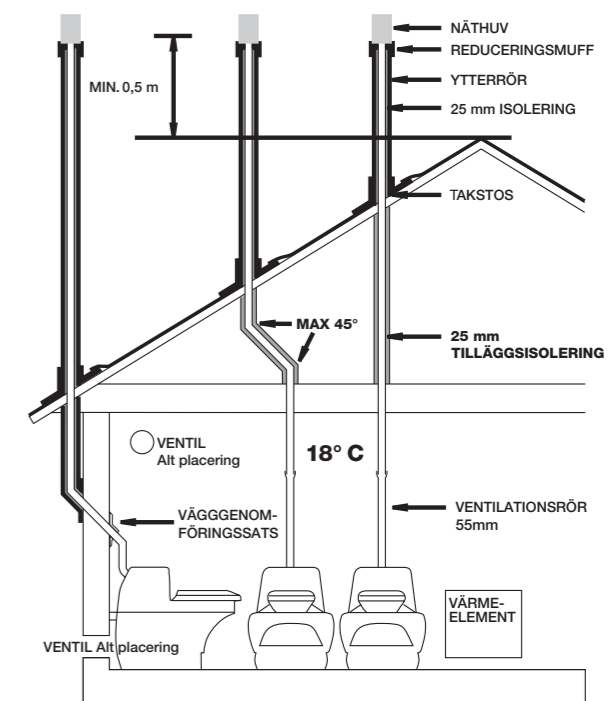
Toalettutrymmet måste vara isolerat. När toaletten används ska rumstemperaturen vara minst 18°C för att säkerställa funktionen. Enklast är att montera in ett termostatstyrt element. Står toaletten oanvänd kan temperaturen i rummet däremot vara hur låg som helst – ingenting fryser sönder.

Lufttillförsel

För att säkerställa tillräcklig lufttillförsel ska man installera en ventil i ytterväggen (diameter ca 100mm). Frånluften ska gå ut genom toaletten. Undvik att ha badrumsfläkt i toalettutrymmet, då en sådan skapar korsdrag vilket innebär att det kan bli lukt i toalettutrymmet.

Montering

1. Sätt toaletten på plats, mot toaletttrumets vägg. Golvet måste vara plant och isolerat.
2. Mät ut och ta upp hål för ventilationsröret i innertaket, med diameter 55 mm. Ventilationsröret monteras med omuffad ände ner i anslutningsstosen på toaletten.
3. Mät ut och tag upp hål i yttertaket, med diameter 55 mm.
4. Skjut upp röret i hålet. Täta väl med asfaltkitt mellan röret och yttertaket, så att det inte uppstår läckage.
5. Isolera röret från innertak och upp till toppen. All rördragning i kallutrymme ska vara isolerad.
6. Kapa av ytterröret så att det passar takets vinkel.
7. Trä takstosen på ytterröret. Använd såpvatten så går det lättare. Har du plåttak är det lämpligast att låta en plåtslagare göra en övergång mellan takbeklädnad och ytterrör.
8. Trä ytterröret över ventilationsrörets isolering. Sätt på reduceringsmuffen.
9. Justera takstosen och täta ordentligt med asfaltkitt mellan stos och tak.
10. Montera näthuv mot stoppet på reduceringsmuffen.



Start av tom toalett

Vid start av tom toalett gör du följande.

1. Häll i påsen med MullToa Specialmull i toaletten. Ungefär hälften av Specialmullen faller ner genom gallret till mullådan.
2. Anslut stickkontakten till ett jordat vägguttag. Vrid termostaten till läge 1 så att fläkten startar. Fäll upp locket så startar motorn automatiskt och går ett litet tag för att fördela mullen. Stäng locket så går motorn igång på nytt och slutför ett varv. Upprepa detta ett par gånger för att mullen skall jämnas ut och mullådan fyllas.
3. Ställ in termostaten. Denna regleras efter hur många personer som ska använda toaletten. Se rekommenderad användning i separat skisstecning under skötselanvisningen, sid 6.

SKÖTSEL

En rätt installerad och rätt skött MullToa är luktfri. Vi poängterar detta, för att markera vikten av att läsa skötsel-anvisningarna noga. När någonting inte fungerar som det ska har det ofta med installation eller skötsel att göra. Vi vill naturligtvis att din MullToa ska fungera helt bekymmersfritt, och ber dig därför ta dig tid att läsa igenom denna information i sin helhet.

Extra startmull

För att få bästa förmultning ska komposten hålla en porös och lagom fuktig konsistens. Det är en fördel om man tillsätter lite mull regelbundet speciellt vid låg belastning. Vid låg belastning 1-2 personer så beräkna ca ½ liter per person och vecka. Vid högre belastning 3-4 personer räcker halva mängden, om fyra personer dagligen använder toaletten ska alltså en liter mull per vecka blandas in i komposten. Skulle det ha bildats klumpar i komposten, passa på att göra sönder dessa. Klumpar kan vara ett tecken på att värmen är för hög, vrid då ner termostaten till ett lägre tal.

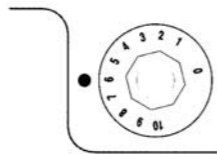
Omrörning

När man öppnar locket startar motorn och går ett litet tag. Efter det att toaletten använts skall locket stängas, då går motorn igång på nytt och slutför ett varv. Detta för att avfall och papper ska blandas in i komposten och luckras upp. Detta är en förutsättning för en effektiv kompostering.

Ställ in termostaten – Vid Start

Termostaten ska till att börja med ställas in efter hur många personer som använder toaletten i hushållet.

Antal personer	Rekommenderad inställning vid start
1 – 2	1-5
3 – 4	6-7
4 – 6	8-10



Därefter kommer man att behöva anpassa termostaten beroende på belastningsgraden.

SÅ HÄR ANVÄNDER DU TERMOSTATEN

Ställ in termostaten efter belastning, läs av nivåöret (23) på höger sida framifrån sett. Termostaten arbetar i två steg beroende på inställning, dels över flottören i mullådan och dels oberoende av flottören.

- I läge 0 är toaletten helt avstängd.
- I läge 1 – 7 styrs värmen beroende på termostatinställning och flottör.
- I läge 8 – 10 får man värme oberoende av flottören.

Flottören har till uppgift att bevaka vätskenivån för att minska risken att mullen torkar ut i lådan, däremot höjer den inte värmen, detta gör man med hjälp av termostaten.

OM VÄTSKAN I NIVÅRÖRET

Nivåröret (på höger sida framifrån sett) visar hur mycket vätska det är i lådan. Notera att det kan vara lite vätska i lådan (synligt i slangen) men hela slangen ska absolut inte vara fylld; då är lådan full av vätska. Ett riktmärke är att någon centimeter vätska i slangen är en bra nivå. Om det stiger vätska i slangen så höj termostaten till ett högre tal. Skulle det inte visa sig något i slangen så sänk lite i taget till dess det kommer fram vätska.

RÄTT TEMPERATUR

Med rätt temperatur har komposten en porös och lagom fuktig konsistens. Om vätskan blir liggande ovanpå komposten och sakta sipprar ner i lådan, är det ett tecken på att komposten är för blöt och inte längre kan suga upp vätska som det är tänkt. Tillsätt några liter Specialmull och höj termostaten något. Om det å andra sidan bildas klumpar eller toalettpappret blir liggandes ovanpå, så att det inte blöts upp och blandas ner ordentligt vid omrörning, är komposten för torr; sänk termostaten något. Reglera med termostaten till rätt temperatur så att komposten blir lagom fuktig, grötaktig.

OM DEN RÖDA NIVÅLAMPAN TÄNDS

Tänds signallampen beror detta på att vätskenivån i lådan börjar bli allt för hög, höj då termostaten till läge 8-10 och sänk när lampan släckts och nivån i slangen sjunkit ner till normal nivå.

OM DEN VITA NIVÅLAMPAN TÄNDS

Tänds den vita signallampen är det ett tecken på att volymen i kompostkammaren börjar bli för hög. Lampan kan tändas och släckas i intervaller under en period, beroende på t ex papper. Men när skenet övergår till att bli mer konstant (normalt efter ca 4 veckor) är det dags att tömma lådan.

GALLRETS SPJÄLLFUNKTION

På undre rakorna (18c) sitter två ”släddar” monterade för att ge en spjällfunktion när gallret öppnas efter varje toalettbesök. Gallret hålls stängt under mellanperioden för att bidra till att bibehålla fukten i komposten så länge som möjligt. När rakorna roterar kommer gallret att öppnas, samtidigt som rakorna skrapar ner kompost i mullådan.

FLOTTÖRFUNKTION

MullToa 55/65 är utrustad med en flottörreglerad värme som slår till eller ifrån beroende på hur myckert vätska som finns i mullådan. Värmen slår till först när vätskenivån i lådan är ca 2-3 cm. Detta minskar risken för uttorkning och bidrar till en effektivare kompostering. Kontrollera nivåöret (23) varje vecka. Om vätskan stiger bör termostatinställningen höjas något, till dess att nivån sjunker tillbaka.

ANPASSA TÖMNINGEN

För den som använder sitt fritidshus ”normalt”, alltså fyra till sex veckor per år, räcker det oftast om mullådan töms en gång per år. Använder man sitt hus längre perioder anpassas tömningsfrekvensen efter denna. Grundregeln är då att lådan ska tömmas innan avfallet når övre rakan. Man lär sig snart anpassa tömningarna efter den belastning toaletten har.

TÖM PÅ VÅREN

De som klarar sig med en tömning om året, bör låta mullen ligga kvar i toaletten över vintern. Man tömmer då mullådan på våren innan toaletten ska börja användas.

TÖMNING

Ett par dagar innan tömning höjer du värmen till läge 8-10 för att torka upp vätska i mullådan. När det försvunnit undan i nivåslangen, gör du följande:

1. Stäng av strömmen!
2. Kontrollera att ingen vätska är i nivåslangarna på höger respektive vänster sida.
3. Finns vätska kvar, bibehåll värmeinställningen och avvakta tömning ytterligare i ett par dagar.
4. För att tömma: Lossa frontluckan. Ta av slangen till mullådan. Skulle lådan ha fastnat, för att komposten mellan lådan och gallret har torkat, frigör då lådan genom att dra mullrakan fram och tillbaka mellan lådan och gallret.
5. Töm lådan på lämpligt ställe.
6. Rengör lådan och sätt den på plats i toaletten. Innan du skjuter lådan på plats, se till att utrymmet där lådan ska stå är rent, speciellt viktigt i området kring flottören.
7. Sätt tillbaka nivåslangen. Montera frontluckan.

Vid mer frekvent användning, exempelvis vid permanentboende, ställs högre krav vad gäller tömningsintervall och skötsel. Har inte toaletten varit i bruk de senaste 2 månaderna kan innehållet användas som jordförbättringsmedel direkt. När man tömmer mitt i säsongen bör innehållet efterkomposteras, enklast är om man låter detta ske i mullådan och att man kompletterar med en extra mullåda för att använda växelvis (denna kan köpas från oss). Den lådan som står för efterkompostering placeras i en säck som man sedan ställer i trädgården.

Förbered kortare frånvaro

Om du är borta i mer än två dagar ska du stänga av strömmen och sätta täcklocket i sitsöppningen. I annat fall blir komposten snabbt torr och hård. Är det mycket vätska efter till exempel extra belastning, kan man lämna toaletten igång under en begränsad period (cirka en vecka). Lämna toaletten igång med termostatinställning 1. Då går enbart fläkten, och lådans innehåll kommer att torka upp långsamt.

Vid säsongsslut

När säsongen är över och det är dags att lämna fritidshuset drar du ut stickkontakten och sätter täcklocket (15) i sitsöppningen. Du bör även stänga av värmen i toaletterummet för att bibehålla fukthalten i komposten så länge som möjligt. MullToa kan inte frysa sönder.

Vid säsongstart

När ny säsong nalkas, och det är dags att öppna upp i fritidshuset, är det också dags för MullToa att tas i bruk efter ett längre uppehåll. Då bör man först luckra upp komposten med mullrakan, då komposten kan vara hård. Töm därefter mullådan. Blanda eventuellt in Specialmull i komposten (ej i lådan) för att få tillräcklig volym, minst 10 cm ovanpå gallret. (Detta är speciellt viktigt, då brytpinnen annars kan gå sönder när motorn går igång). Strila även lite vatten för att fukta komposten.

FRÅGOR & SVAR

– Hur vet jag om komposten är för torr?

Svar: Det syns att den är torr genom att det bildas klumpar. Det kan också vara så att toalettpappret bli liggande ovanpå komposten, utan att blötas eller blandas in ordentligt vid omrörning.

– Vad gör jag om komposten blir för torr?

Svar: Sänk värmen till ett lägre tal med hjälp av termostaten och spraya gärna vatten med en duschflaska på komposten. Man kan med fördel luckra upp komposten genom sitsen med den medskickade mullrakan, samtidigt som komposten sprayas med vatten. Håll på tills komposten får en fuktig och porös konsistens (grötaktig). Är det ständigt för torrt i komposten, på grund av låg belastning och trots att termostaten står på läge 1-2, kan man installera en timer som stänger av strömmen till toaletten på natten. Var även sparsam med toalettpapper, eftersom detta bryts ned långsammare då komposten är för torr.

– Hur vet jag om komposten är för våt?

Svar: När komposten inte längre kan suga upp vätska, så att vätskan blir liggande ovanpå komposten.

– Vad gör jag om komposten blir för våt?

Svar: Kontrollera först att strömmen går fram, så att fläkten och värmen fungerar. Fläkten kan du höra, och värmen känner du om du lägger handen på toalettens baksida. Kontrollera därefter:

- att ventilationsröret är installerat enligt anvisningarna och att det är välisolerat.
- att temperaturen i toaletterummet är minst 18°.
- om det är ordentligt med tilluft via väggventil.
- om toaletten har överbelastats (så att termostatinställningen behöver justeras).

För att torka komposten gör du följande:

1. Blanda in några liter MullToa Specialmull i den fuktiga komposten.
2. Finns det även vätska i nivåslangen så sätt upp termostaten till ett högre tal. Vrid inte ner den till ett lägre tal förrän vätskan återtagit sin normala nivå.
3. Om det finns vätska i nivåöret på vänster sida framifrån sett har lådan svämrat över. Höj termostaten och avvakta tömning ett par dagar tills dess att ingen vätska är kvar i röret.
4. Om inte komposten blir torrare måste man tömma ut överskottsvätskan. Lossa nivåöret upptill och anslut en trädgårdsslang. Obs! Öppna ej frontluckan.

– Vad får kastas i toaletten?

Förutom de naturliga behov som man utträttar vid ett toalettbesök är det endast toalettpapper som ska kastas i toaletten (och vanligt vatten som man sprayas på komposten om den har blivit för torr). Man skall absolut inte slänga bindor och tamponger, fimpar, brinnande eller glödande föremål i toaletten!

– Vad gör jag om det kommit insekter i toaletten?

Svar: Då kan man använda MullToa Flugstopp, som kan beställas från oss eller från våra återförsäljare.

– Vad gör jag om det blir dålig lukt i toaletterummet?

Svar: En rätt installerad och skött MullToa är helt luktfri. Om det skulle uppstå dålig lukt i toalettutrymmet är det ett tecken på att någonting är fel. Kontrollera att du noggrant följt installations- och skötsel-anvisningarna med hjälp av lathunden nedan, så upptäcker du sannolikt felkällan.

Kontrollera att du inte har fler än två rörböjar och att de inte har en större vinkel än 45°.

Kontrollera att det är tätt mellan rör och toalett.

Kontrollera att frontluckan är ordentligt åtdragen.

Kontrollera att MullToa får tillräckligt med tilluft via en ventil i yttervägg och att MullToa originalrör (vita) använts vid installation.

Undvik korsdrag genom att inte ha både fönster och ventiler öppna samtidigt.

– Omrörningen går inte?

I omrörarmotorn sitter två skydd för att förhindra skador på mekaniska delar.

– *Går motorn normalt, men rakorna står stilla?*

I motoraxeln sitter en brytpinne som fungerar som ett slitageskydd. Vid för hårt motstånd går denna av och måste ersättas med en ny.

– *Går motorn för att sedan stängas av och efter en stund på egen hand starta om på nytt, medan rakorna står stilla?*

I elmotorn sitter ett termiskt överhettningsskydd som löser ut om det är för tungt motstånd för rakorna i komposten, det återställer sig själv, men problemet måste åtgärdas. Oftast räcker det att luckra upp mullbädden med mullrakan och tillföra ett par liter specialmull.

– Vad gör jag om brytpinnen går sönder?

Svar: Du kan själv byta brytpinnen för detta är inget garantiåtagande. En extra brytpinne är fasttepad intill motorn. Följ nedanstående anvisning noga;

Byte av brytpinne

- 1) Bryt strömmen genom att dra ut stickkontakten.
- 2) Lyft toaletten i framkant, drag fram den från väggen och lossa ventilationsröret.
- 3) Skruva av den runda muttern som håller kontakten (13b) till omröraren, tryck in knappen innanför plasten.
- 4) Lossa muttern till insynsskydd (13c). Drag upp termostatratten och lyft av överdelen.
- 5) Lossa kablarna som ansluter omrörarmotorn (14) till kopplingsplinten som sitter på elpanelen. Memorera placeringen innan de lossas.
- 6) Lossa de fyra stjärnskruvarna som håller omrörarmotorn på plats.
- 7) Lyft omrörarmotorn rakt upp och ta ur den. (Skulle omrörarmotorn sitta fastkilad i axeln kan man sätta ner motorn för att sedan vrida knivaxeln med hjälp av en skiftryckel, prova sedan att lyfta upp motorn medan du vrider axeln.
- 8) Arbeta mot ett stumt underlag, alternativt spänn fast motoraxeln i ett skruvstöd, knacka ur resterna av den gamla brytpinnen (17) med hjälp av en dorn eller den nya brytpinnen.
- 9) Knacka in den nya brytpinnen och montera omrörarmotorn.
- 10) Montera kablarna i kopplingsplinten.
- 11) Provkör.
- 12) Montera överdelen samt den runda muttern som håller kontakten för omröraren, muttern till insynsskyddet och termostatratten.
- 13) Ställ toaletten på plats och montera ventilationsröret.
- 14) Sätt i stickkontakten

– När behövs behörig elektriker?

MullToa är godkänd för installation i våtutrymmen. Om nätanslutningssladden skadas måste den bytas av tillverkaren eller deras reparationsfirma, eller annan behörig person, (för att förhindra skada). Denna anvisning placeras vid toaletten.

– Var finns reservdelar och service?

Svar: Kontakta MullToa, tel: 031 - 42 29 30 eller gå in på vår hemsida www.mulltoa.com för att hitta din närmsta återförsäljare. Ha alltid serienumret på toaletten tillhands, det finns på en dekal högt upp på toalettens baksida. Vid eventuell reparation utförd av serviceman ska toaletten vara tömd och rengjord.